



# BlueZone Technical Data Sheet



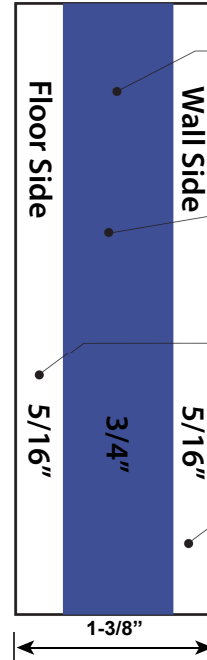
## Description

BlueZone™ is a high-grade 6mil polyethylene moisture barrier, zone-coated with a permanently tacky rubber adhesive. When applied across the expansion area around the perimeter of floating, hard-surface flooring products, BlueZone™ effectively seals the perimeter, preventing spills from damaging the flooring. It also prevents moisture from entering and accumulating under the floor where it can cause even greater damage and create unhealthy environments.

BlueZone™ has been proven to be more effective™ than the standard silicone, backer rod process, but at a lower cost and easier, more consistent application.

## BlueZone Features:

- Prevents moisture intrusion into floating floor expansion areas.
- Moisture protection at a fraction of the cost as other methods.
- Easy, clean application. No mess. No special tools needed.
- Permanently tacky adhesive bonds well to most surfaces over a wide temperature range. Excellent low-temperature adherence.
- Great tear resistance. Nails slide through without damage.



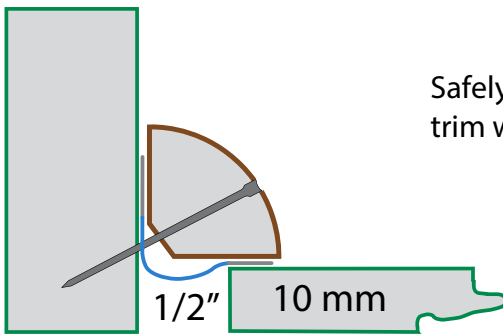
Moisture & tear resistant, the BlueZone is able to be easily installed under any molding without issue

The BlueZone area is adhesive-free to allow for easy movement of your floors

Max-strength adhesive adheres to floors & walls without detaching during expansion & contraction.

Apply the clear sides to the floor, wall or molding track for a permanent water-tight seal

Patent Pending 2024  
©2024 CalFlor A.S.  
www.CalFlor.com



Safely install your trim with nails or glue



**No More Sealant Mess!**

Compatible with all molding types and perimeter locations



Wall Trims



T-Molding



Reducers



**BlueZone is Clean & Simple!**

Limited Warranty. TO THE MAXIMUM EXTENT ALLOWED BY LAW, CALFLOR DISCLAIMS ALL OTHER EXPRESS OR IMPLIED WARRANTIES, INCLUDING WITHOUT LIMITATION WARRANTIES OF MERCHANTABILITY AND FITNESS FOR A PARTICULAR PURPOSE. UNLESS OTHERWISE STATED IN THE LIMITED WARRANTY, THE SOLE REMEDY FOR BREACH OF WARRANTY IS REPLACEMENT OF THE PRODUCT OR REFUND OF THE BUYER'S PURCHASE PRICE. CALFLOR DISCLAIMS ANY LIABILITY FOR DIRECT, INCIDENTAL, CONSEQUENTIAL, OR SPECIAL DAMAGES TO THE MAXIMUM EXTENT ALLOWED BY LAW. DISCLAIMERS OF IMPLIED WARRANTIES MAY NOT BE APPLICABLE TO CERTAIN CLASSES OF BUYERS AND SOME STATES DO NOT ALLOW THE EXCLUSION OR LIMITATION OF INCIDENTAL OR CONSEQUENTIAL DAMAGES, SO THE ABOVE LIMITATIONS MAY NOT APPLY TO YOU. It is the buyer's obligation to test the suitability of the product for an intended use prior to using it. The Limited Warranty extends only to the original purchaser and is not transferable or assignable. Any claim for a defective product must be filed within 30 days of discovery of a problem, and must be submitted with written proof of purchase.